

Бесконтактные датчики тока предназначены для непрерывного контроля за величиной тока в силовых сетях.



APPLICATIONS



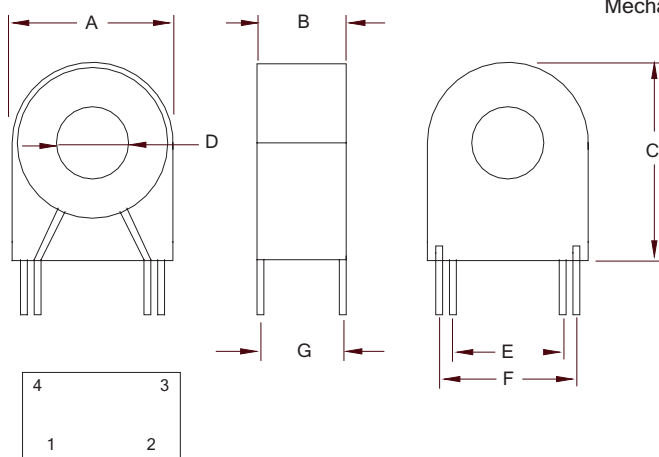
- AC energy Meter Power transducer RTU
- Protection current transformer
- AC kilowatt hour meter
- Electronical monitoring system

Electrical characteristics at 25°C

Performance & Specification for High Precision Current Test							Performance & Specification for Protection Precision Current Test						
Part Number	Rated Primary Current (A)	Max Primary current (A)	Rated Secondary Current (A)	Current ratio	Output Ratio (V)	Accuracy class	Part Number	Rated Primary Current (A)	Max Primary current (A)	Rated Secondary Current (A)	Resistance Load (Ohm)	Output Ratio (V)	Accuracy class
ACST010A			2.5	2000:1	100	0.2, 0.5	ACST010B	5	60	5	100	0.5	0.5, 1.0
ACST010A	10	40	4	2500:1	100	0.2, 0.5	ACST010B	10	60	10	100	1.0	0.5, 1.0
ACST010A	20	40	10	2000:1	100	0.1, 0.2, 0.5	ACST010B	15	60	15	100	1.5	0.5, 1.0
ACST011A	10	60	4	2500:1	100	0.1, 0.2, 0.5	ACST011B	20	60	20	100	2.0	0.5, 1.0
ACST011A	20	60	10	2000:1	100	0.1, 0.2, 0.5	ACST011B	25	75	25	100	2.5	0.5, 1.0
ACST011A	40	60	20	2000:1	100	0.1, 0.2, 0.5	ACST011B	30	75	30	100	3.0	0.5, 1.0
ACST012A	60	120	24	2500:1	100	0.1, 0.2, 0.5	ACST012B	40	75	40	100	4.0	0.5, 1.0
ACST012A	80	120	32	2500:1	100	0.1, 0.2, 0.5	ACST012B	50	125	50	100	5.0	0.5, 1.0
ACST012A	120	120	48	2500:1	100	0.1, 0.2, 0.5	ACST012B	60	125	60	100	6.0	0.5, 1.0
ACST013A	100	200	40	2500:1	100	0.1, 0.2, 0.5	ACST013B	75	125	75	100	7.5	0.5, 1.0
ACST013A	100	200	50	2000:1	100	0.1, 0.2, 0.5	ACST013B	100	250	100	100	10.0	0.5, 1.0
ACST013A	200	200	80	2500:1	100	0.1, 0.2, 0.5	ACST013B	150	250	150	100	15.0	0.5, 1.0

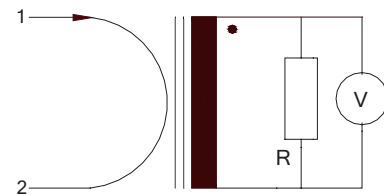
Диапазон рабочих частот 20 Гц -400 Гц.
Сопrotивление изоляции 100 МОм.
Напряжение пробоя 4,0 кВ, 1мА, 60сек.
Диапазон рабочих температур -25°C +85°C.
Соответствует требованиям пожарной безопасности.

Working Frequency range 20Hz-400Hz.
Hi-Pot: 4000V 1mA 60S
Insulation resistance 500VDC>100MΩ.
Operating temperature range -25°C to +85°C.
Storage temperature -40°C to +105°C.
Resistance to soldering heat: 260°C for 10 seconds.
Marking: Part number and data code.
Note: All specifications subject to change without notice.



Mechanicals

Schematic



Все размеры в мм.
Диаметр выводов 1.0 мм.
Длина выводов 6.0 мм.

All dimensions are given in mm.
Pins diameters are 1.0 mm.
Pins length are 6.0 mm.

Dimensions, mm.	A	B	C	D	E	F	G
ACST010	23.5	12.5	25.0	7.0	15.0	18.5	10.5
ACST011	26.0	17.0	29.0	9.0	15.0	18.5	15.0
ACST012	37.0	14.0	39.0	13.0	25.0	32.5	11.0
ACST013	49.0	20.0	54.0	18.5	29.0	37.0	17.5